

Nominal data

Type	614 JH	
Nominal voltage	VDC	24
Nominal voltage range	VDC	14 .. 26.4
Speed	min ⁻¹	11700
Power input	W	7.7
Min. ambient temperature	°C	-20
Max. ambient temperature	°C	70
Air flow	m ³ /h	70
Sound power level	B	6.4
Sound pressure level	dB(A)	53

ml = Max. load · me = Max. efficiency · fa = Running at free air · cs = Customer specs · cu = Customer unit
Subject to alterations

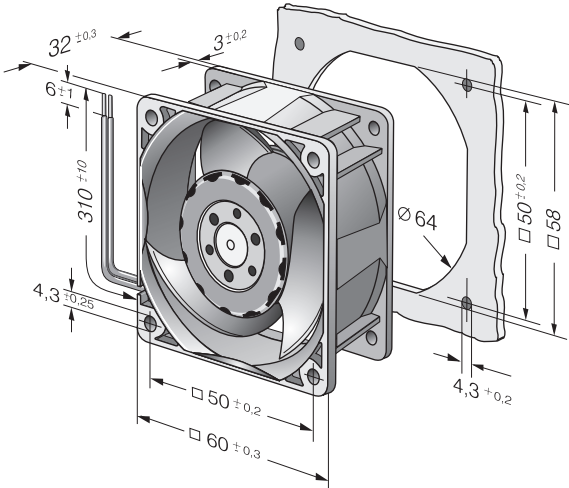
Technical features

Housing material	Fibreglass-reinforced plastic (PBT)
Impeller material	Fibreglass-reinforced plastic (PA)
Mass	0.100 kg
Dimensions	60 x 60 x 32 mm
Direction of air flow	Air exhaust over bars
Direction of rotation	Right, looking at rotor
Bearing	Ball bearings
Lifetime L10 at 40 °C	57500 h
Lifetime L10 at maximum temperature	27500 h
Connection line	Single strands AWG 24, TR 64, bared and tin-plated.
Motor protection	Protected against reverse polarity and locking.
Locked-rotor protection	With electronic blocking and overload protection
Approval	CE
Option	Special options: Speed signal Go / No-go alarm Alarm with limit speed External temperature sensor PWM control input Analogue control input Moisture protection

614 JH

DC axial compact fan

Product drawing



Charts: Air flow

